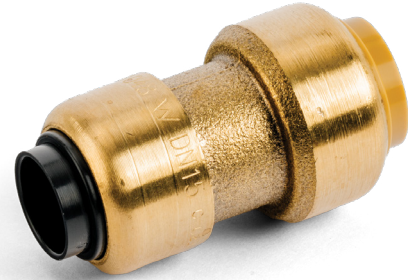


# Conversion Couplings

## Scope of Use / Specification Sheet

SharkBite® plumbing fittings and pipe are manufactured in Australia at RWC's state of the art facilities. Stringent quality control and advanced manufacturing procedures guarantee product satisfaction.

SharkBite® is an advanced design push-to-connect plumbing system for potable water distribution. SharkBite® is available in an assortment of over 200 fittings and PEX pipe ranging from 16-25mm size. SharkBite® has been engineered with ease of use and disconnection in mind and while being the most dependable way to join copper and PEX Pipe in any combination – with no soldering, clamps, unions or glue.



F009X

### Features and Benefits

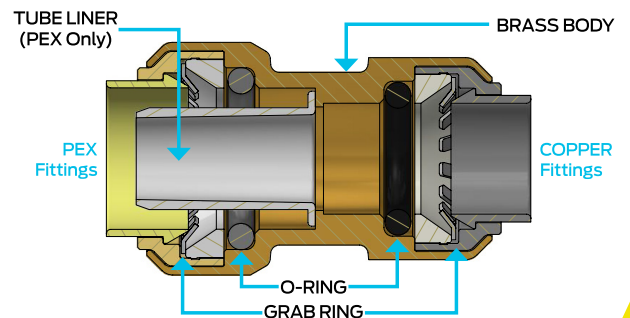
- Quick and easy to install in both wet or dry conditions
- No expensive tools required - supplied ready for installation
- Approved for behind the wall application
- Approved for underground installation with SharkBite® Silicone Wrap (F708)
- Instant push-to-connect connection. Cut. Push. Done.
- Removable after installation
- Integral tube liner for PEX installations means no loose components and ensures a secure reliable connection

### Product List

Order Code	Description
F009X	16mm x DN15Cu
F017X	20mm x DN20Cu
F009XPX	16mm x 16mm SDR7.4
F017XPX	20mm x 20mm SDR7.4
F009XPB	16mm x 18mm Polybutylene
F017XPB	20mm x 22mm Polybutylene
F009XAP	16mm x 16mm SDR9
F017XAP	20mm x 20mm SDR9

### Materials

Body	LF DZR Brass
Grab Ring	316 Stainless Steel
O-Ring	EPDM
Tube Liner	Polysulfone (PEX fittings only)



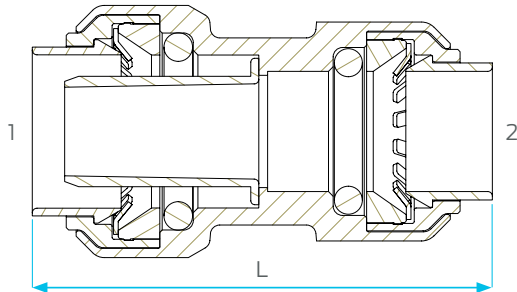
**25 YEAR**  
GUARANTEE

All SharkBite® fittings are guaranteed against defects in materials or manufacturing for a period of 25 years from the date of purchase.

sharkbite.com.au | 1800 810 803 | sales.au@rwc.com

EPK0196\_2025\_v2

# Conversion Couplings



## Working Pressures and Temperatures

Pipe	Pressure/Temperature	
PEX SDR9	Designed for operating at 2000kPa / 20°C	Max operating values of 1000kPa / 70°C

## Installation

Installation is subject to the requirements of the applicable regulatory authority, the National Construction Code Volume Three – Plumbing Code of Australia, associated reference standards as applicable at the time and AS/NZS 3500. This product is compliant to the Lead Free requirements of the National Construction Code Volume Three. For further Scope of Use, please visit [www.rmc.com.au/resources](http://www.rmc.com.au/resources).

## Standards and Approvals



**Lead Free**  
AS/NZS 2537.2  
AS 3688  
WMKA 02056

## Product Dimensions

Code	1	2	L
F009X	16 OD	DN15Cu	49
F017X	20 OD	DN20Cu	59
F009XPX	16 OD SDR9	16 OD SDR7.4	49
F017XPX	20 OD SDR9	20 OD SDR7.4	59
F009XPB	16 OD	18mm Poly/Bute	49
F017XPB	20 OD	20 OD Poly/Bute	59
F009XAP	16 OD	16 OD SDR9 PEX	49
F017XAP	20 OD	20 OD SDR9 PEX	59

**Note:** All measurements in mm unless otherwise stated.

## PEX Dimensions

Nominal Outside Diameter	16mm	20mm	25mm
Average Wall Thickness	2.15mm	2.45mm	3.00mm
Average Internal Diameter	11.7mm	15.2mm	19.1mm

## Warranty

Reliance Worldwide Corporation (Aust.) Pty. Ltd. (RWC) will either replace or repair any defective goods where the defect arose as a result of manufacture within the warranty period. You may contact RWC at the phone number, address or e-mail shown below for further information or to make a claim.

Visit [www.rmc.com.au/warranty](http://www.rmc.com.au/warranty) to view the warranty statement in full and for further important information.