

No.12 Elbow

Scope of Use / Specification Sheet

SharkBite® plumbing fittings and pipe are manufactured in Australia at RWC’s state of the art facilities. Stringent quality control and advanced manufacturing procedures guarantee product satisfaction.

SharkBite® is an advanced design push-to-connect plumbing system for potable water distribution. SharkBite® is available in an assortment of over 200 fittings and PEX pipe ranging from 16-25mm size. SharkBite® has been engineered with ease of use and disconnection in mind and while being the most dependable way to join copper and PEX Pipe in any combination – with no soldering, clamps, unions or glue.



RA248X

Features and Benefits

- Quick and easy to install in both wet or dry conditions
- No expensive tools required - supplied ready for installation
- Approved for behind the wall application
- Approved for underground installation with SharkBite® Silicone Wrap (F708)
- Instant push-to-connect connection. Cut. Push. Done.
- Removable after installation
- Integral tube liner for PEX installations means no loose components and ensures a secure reliable connection

Product List

Order Code	Description
RA248X	DN15 Elbow
RA256X	DN20 Elbow
F260X	DN25 Elbow (Suits PEX or Copper)

Materials

Body	LF DZR Brass
Grab Ring	316 Stainless Steel
O-Ring	EPDM
Tube Liner	Polysulfone (PEX Fittings only)

25 YEAR
GUARANTEE

All SharkBite® fittings are guaranteed against defects in materials or manufacturing for a period of 25 years from the date of purchase.

sharkbite.com.au | 1800 810 803 | sales.au@rwc.com

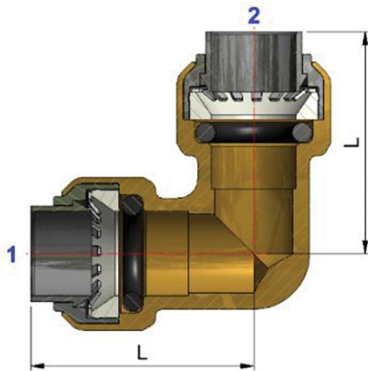
EPK0178_2025_v2

No.12 Elbow

Model Dimensions

Code	End Size 1	2	Weight	L
RA248X	DN15Cu	DN15Cu	63 g	34
RA256X	DN20Cu	DN20Cu	127 g	41

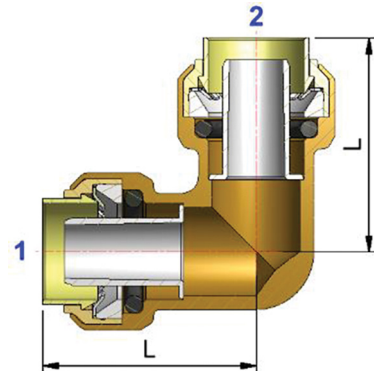
Note: All measurements in mm unless otherwise stated.



Product Dimensions

Code	End Size 1	2	Weight	L
F260X	25mm OD (DN25Cu)	25mm OD (DN25Cu)	263 g	47

Note: All measurements in mm unless otherwise stated.



Installation

Installation is subject to the requirements of the applicable regulatory authority, the National Construction Code Volume Three – Plumbing Code of Australia, associated reference standards as applicable at the time and AS/NZS 3500. This product is compliant to the Lead Free requirements of the National Construction Code Volume Three. For further Scope of Use, please visit www.rmc.com.au/resources.

Warranty

Reliance Worldwide Corporation (Aust.) Pty. Ltd. (RWC) will either replace or repair any defective goods where the defect arose as a result of manufacture within the warranty period. You may contact RWC at the phone number, address or e-mail shown below for further information or to make a claim.

Visit www.rmc.com.au/warranty to view the warranty statement in full and for further important information.

Standards and Approvals



sharkbite.com.au | 1800 810 803 | sales.au@rwc.com

Reliance Worldwide Corporation (Aust.) Pty. Ltd. reserves the right to change any product specification or information contained in this publication at any time and without notice. All diagrams are illustrative only. Please consult OEM instructions and AS/NZS 3500 for all installations. ABN 71 004 784 301 | EPK0178_2025_v2